

300mm Solar Yellow Flashing Light

Model No. : ZAM-W300-3-15-1A

FEATURES & BENEFITS



- ✓ Application – junctions, roads, highways, construction sites
- ✓ Solar cell powered - not dependent on electrical grid
- ✓ Automatic dimming function at night
- ✓ Battery backup - able to operate in cloudy/rainy weather
- ✓ Transparent poly-carbonate optical lens – impact resistant
- ✓ High intensity LED light source – low energy consumption
- ✓ 5mm LED (DIP) by EPISTAR
- ✓ Long life cycle – more than 80,000 working hours
- ✓ Highly durable poly-carbonate housing; UV-light resistant
- ✓ Easy fixation system with aluminum mounting brackets
- ✓ Compliance with CE, RoHS, EN12368, ISO9001

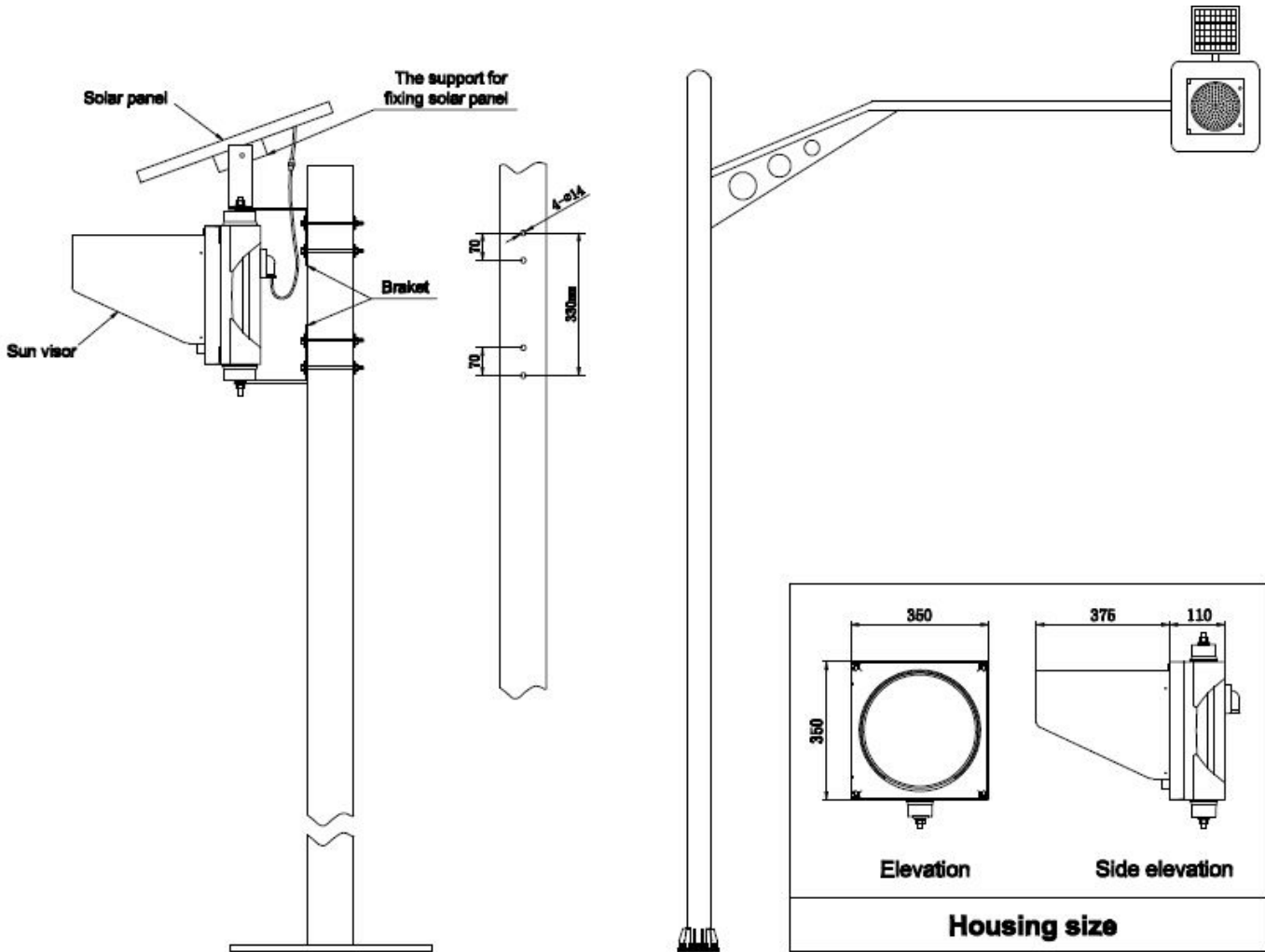
TECHNICAL DATA

LED Qty	168pcs	Intensity	≥400cd
Wave length	590~594nm	Working Voltage	11.1V
Solar Power	10W	Solar peak current	0.59A
Li-ion battery capacity	6600MAH / 11.1V	Housing Material	PC – UV resistant
View Angle	L/R-30° U/D-30°	View Distance	≥ 500m
IP Grade	IP54	Finished size(mm)	350x350x110
Working Temperature	-40℃~+80℃	Flashing frequency	60±5 Times/Min
Normal working life of SP	15 years	Normal working life of Battery	≥ 2years
Automatic dimming	including four grades	Continuous Working Period during cloudy and rainy days	About 6 days

ZAMTAS INTERNATIONAL

Please visit our website www.zamtas.com.au
 Specifications subject to change without notice

INSTALLATION



PACKING INFO

Carton size	QTY	GW	NW	Wrapper	Volume(M ³)
0.56*0.45*0.29m	1pcs/carton	8.5 KGS	7KGS	K=K Carton	0.093

Light	L Bracket	Sun visor	M4×10 Screw	M12×80 screw Nut and Gasket	M12×30 screw Nut and Gasket	Using manual	Certificate
1	1	1	4	2	1	1	1

Email: info@zamtas.com.au

Unit 5 /16-28 Martha Street Clyde, New South Wales 2142 Australia.

Phone: 02 9682 6224 International: +61 2 9682 6224 Fax: 02 9682 3308